



嵐天自動化股份有限公司
iMaku Automation System



伺服馬達規格
Specification for
AC Servo Motor

Date: June 23rd, 2015



目 錄

Index

Servo Motor 規格及參數表	1
KUT020.....	3
KUT030.....	4
KUT040.....	5
KUT061.....	6
KUT062.....	6
KUT083.....	8
KUT085.....	8
KUT101.....	10
KUT103.....	10
KUT105.....	11
KUT107.....	11
KUT109.....	12
KUT132.....	13
KUT134.....	13
KUT136.....	14

Servo Motor 規格及參數表

基座号/ 止口直 径 D/mm	机型	转速 /rpm	功率 /kw	轴径 d/mm	轴长 X/mm	法兰固 定孔径 C/mm	固定孔 PCD B/mm	法兰宽 度 A/mm	机身长度 无刹车/ 有刹车 L/mm
30	020	3000	0.1	8	25	4.5	46	40	107.3/137.3
50	030	3000	0.4	14	30	4.5	70	61	139/167.5
70	040	3000	0.75	19	40	6	90	80	172.5/201
110	061	2000	1.5	24	52	9	145	130	183/218
		3000	2						
	062	2000	2.3						218/253
		3000	3						
130	083	3000	4	32	62.5	11	165	155	256/281
	085	3000	5						306/331
180	101	1000	4.5	42	85	14.5	215	198	222/290
		2000	7.5						
	103	500	3.8						274.5/-
		1000	7.5						
		1500	10						
		2000	13						
		3000*	15.7						
	105	600	6.3						327/-
		1000	10.5						
		1500	15						
		2000	18.5						
		3000*	25						
	107	1000	14						379.5/-
		1500	19						
		1800	25.5						
		2000	24						
109	1000	18	432/-						
	2000	31							
250	132	1000	24	60	118	19	300	260	554.7/-
		2000	45						
	134	1000	31						634.7/-
		2000	60						
	136	1000	40						714.7/-
		2000	75						
350	200	250	52.4	-	-	M10	380	398	604.5/-

* 可定制型号

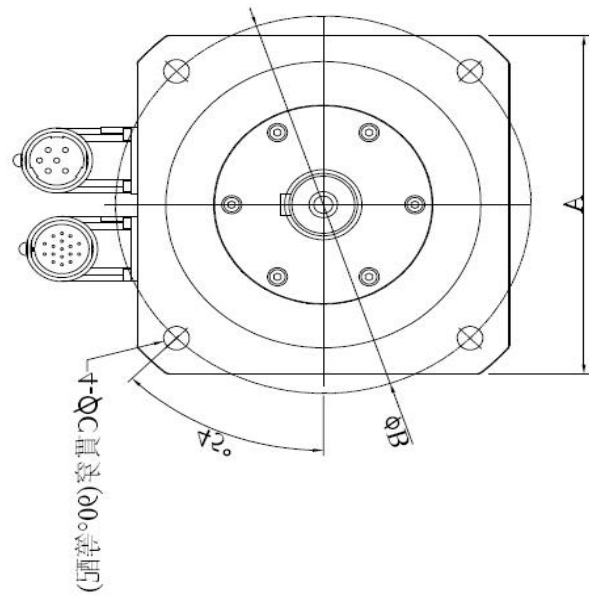
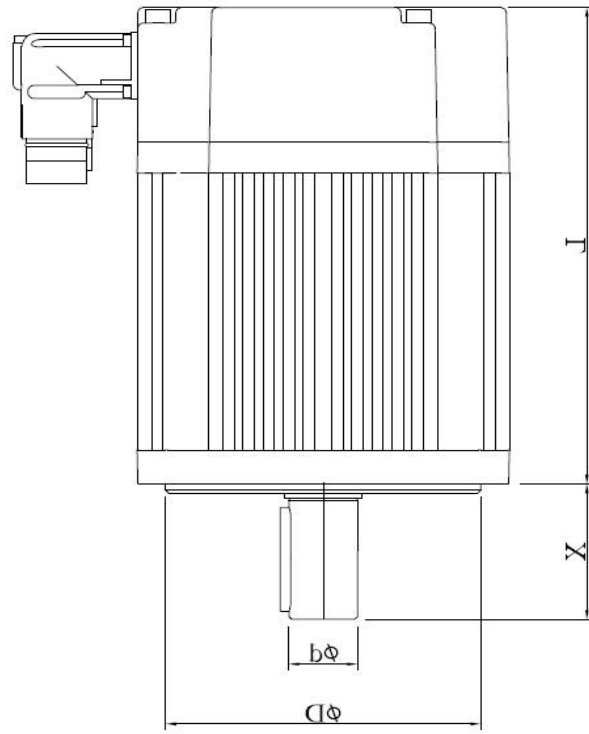
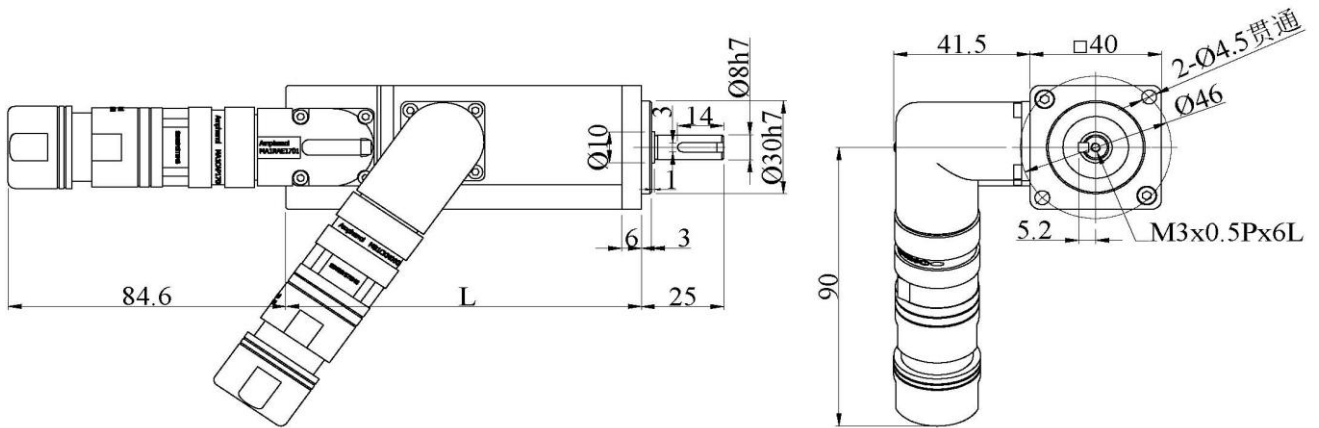


Table 15-1: **KUCT 020** □ **Shaft Φ8**

Technical Data	Code	Unit				F
Configuration Data						
Rated Speed	n_N	rpm				3000
Rated Power	P	kW				0.1
Poles	P_N					4
Rated Torque (100K)	T_N	Nm				0.24
Rated Current (100K)	I_N	A				2
Static Torque (100K)	T_0	Nm				0.84
Stall Current (100K)	I_0	A				2.4
Inertia	J	10^{-4}kgm^2				0.051
Limiting Data						
Max Speed	n_{\max}	Rpm				4000
Max Torque	T_{\max}	Nm				0.72
Max Current	I_{\max}	A				4.7
Physical Constants						
Torque Constant	k_T	Nm/A				0.12
Voltage Constant	k_E	V/1000rpm				8



L
107.3 (Without Brake)
137.3 (With Brake)

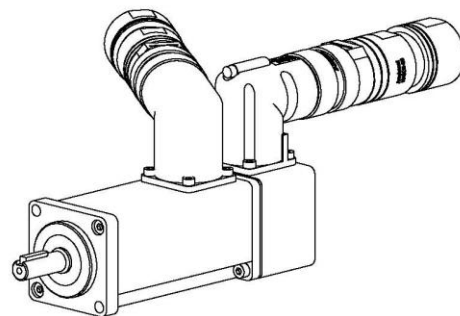
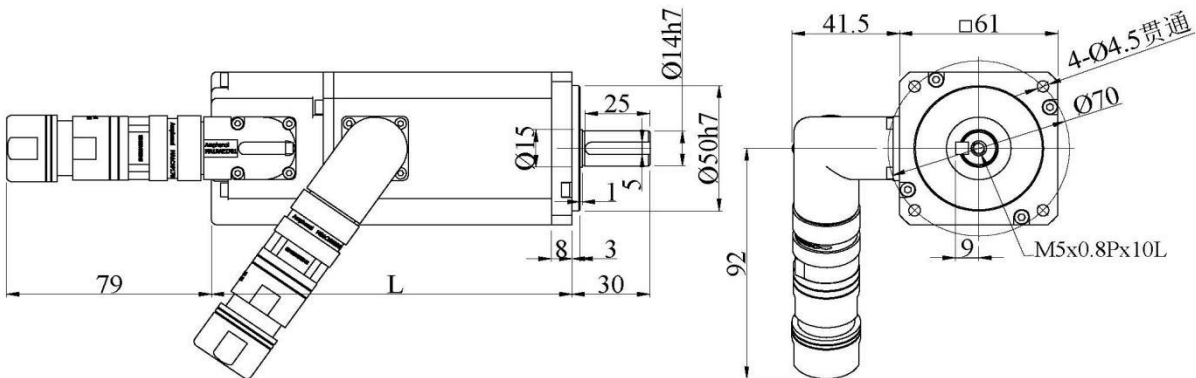


Table 15-2: **KUCT 030** □ **Shaft Φ14**

Technical Data	Code	Unit				F
Configuration Data						
Rated Speed	n_N	rpm				3000
Rated Power	P	kW				0.4
Poles	P_N					4
Rated Torque (100K)	T_N	Nm				1
Rated Current (100K)	I_N	A				2.4
Static Torque (100K)	T_0	Nm				1.6
Stall Current (100K)	I_0	A				2.8
Inertia	J	$10^{-4}kgm^2$				0.26
Limiting Data						
Max Speed	n_{max}	Rpm				4000
Max Torque	T_{max}	Nm				3
Max Current	I_{max}	A				10.2
Physical Constants						
Torque Constant	k_T	Nm/A				0.4
Voltage Constant	k_E	V/1000rpm				24



L
139 (Without Brake)
167.5 (With Brake)

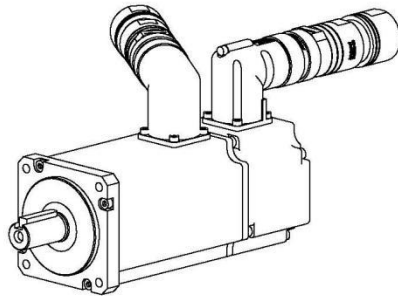
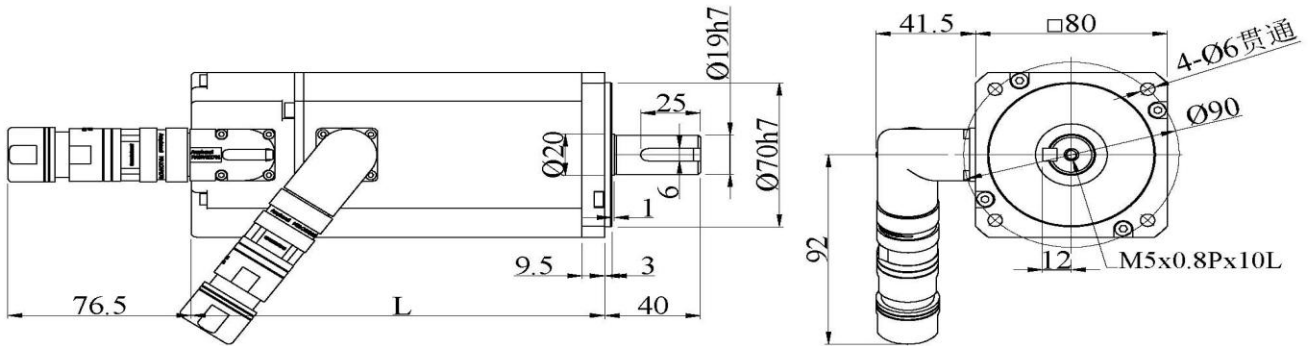


Table 15-3: **KUCT 040** □ **Shaft Φ19**

Technical Data	Code	Unit				F
Configuration Data						
Rated Speed	n_N	rpm				3000
Rated Power	P	kW				0.75
Poles	P_N					4
Rated Torque (100K)	T_N	Nm				2.9
Rated Current (100K)	I_N	A				4.1
Static Torque (100K)	T_0	Nm				3.5
Stall Current (100K)	I_0	A				4.5
Inertia	J	$10^{-4}kgm^2$				0.87
Limiting Data						
Max Speed	n_{max}	Rpm				4000
Max Torque	T_{max}	Nm				7.1
Max Current	I_{max}	A				17.4
Physical Constants						
Torque Constant	k_T	Nm/A				0.7
Voltage Constant	k_E	V/1000rpm				42



L
172.5 (Without Brake)
201 (With Brake)

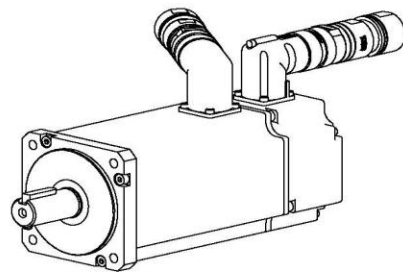
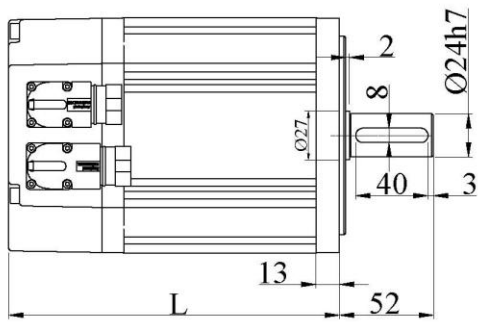


Table 15-4: KUCT061 □ Shaft Φ24

Technical Data	Code	Unit	L	C	F
Configuration Data					
Rated Speed	n_N	rpm	500	2000	3000
Rated Power	P	kW	0.55	1.5	2
Poles	P_N		5	5	5
Rated Torque (100K)	T_N	Nm	10.5	7.2	6.6
Rated Current (100K)	I_N	A	2	3.5	4.4
Static Torque (100K)	T_0	Nm	12	8	7
Stall Current (100K)	I_0	A	2.2	3.6	4.5
Inertia	J	10^{-4}kgm^2	10	10	10
Limiting Data					
Max Speed	n_{\max}	Rpm	1000	4000	4000
Max Torque	T_{\max}	Nm	32	32	32
Max Current	I_{\max}	A	7	16	25
Physical Constants					
Torque Constant	k_T	Nm/A	5.3	2.2	1.5
Voltage Constant	k_E	V/1000rpm	320	140	90

Table 15-5: KUCT062 □ Shaft Φ24

Technical Data	Code	Unit	L	C	F
Configuration Data					
Rated Speed	n_N	rpm	500	2000	3000
Rated Power	P	kW	0.9	2.3	3
Poles	P_N		5	5	5
Rated Torque (100K)	T_N	Nm	17	11	9
Rated Current (100K)	I_N	A	2	5	6.5
Static Torque (100K)	T_0	Nm	18	12	11
Stall Current (100K)	I_0	A	2.1	5.2	7
Inertia	J	10^{-4}kgm^2	15	15	15
Limiting Data					
Max Speed	n_{\max}	Rpm	1000	4000	4000
Max Torque	T_{\max}	Nm	50	50	50
Max Current	I_{\max}	A	7	25	40
Physical Constants					
Torque Constant	k_T	Nm/A	8.5	2.3	1.4
Voltage Constant	k_E	V/1000rpm	510	140	90



型號	功率/kw	L	
		Without Brake	With Brake
KUT061	1.5	183	218
KUT062	2.3	218	253

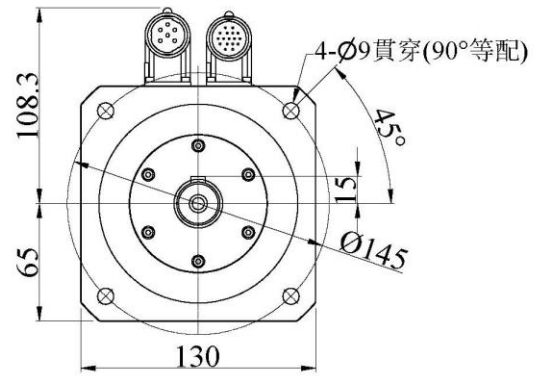
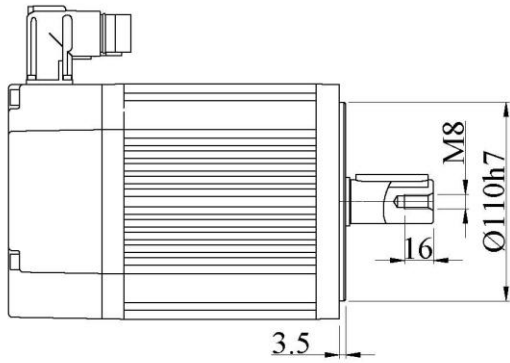
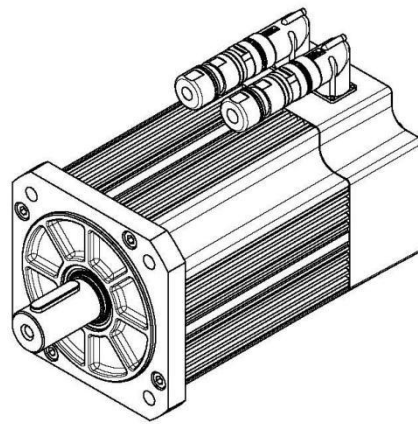
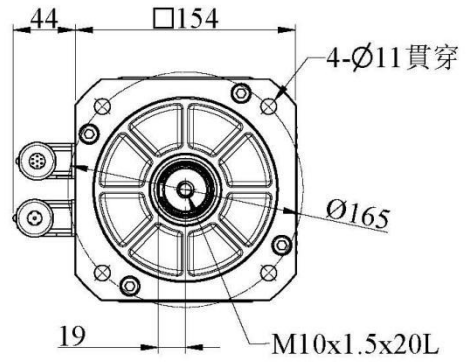
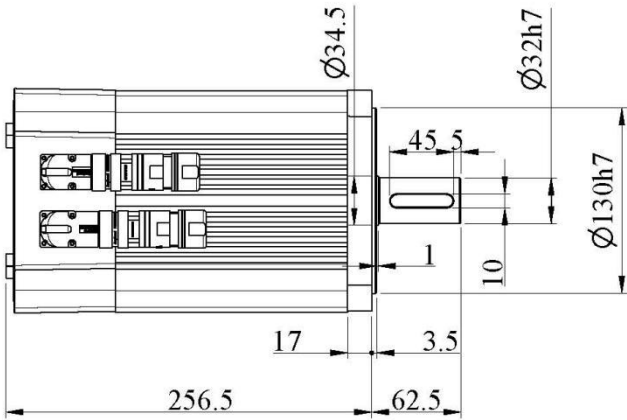


Table 15-6: KUCT083 □ Shaft Φ32

Technical Data	Code	Unit			C	
Configuration Data						
Rated Speed	n_N	rpm			2000	
Rated Power	P	kW			4.5	
Poles	P_N				5	
Rated Torque (100K)	T_N	Nm			21.5	
Rated Current (100K)	I_N	A			8.6	
Static Torque (100K)	T_0	Nm			22.3	
Stall Current (100K)	I_0	A			8.7	
Inertia	J	10^{-4}kgm^2			35	
Limiting Data						
Max Speed	n_{\max}	Rpm			3000	
Max Torque	T_{\max}	Nm			80	
Max Current	I_{\max}	A			38	
Physical Constants						
Torque Constant	k_T	Nm/A			2.5	
Voltage Constant	k_E	V/1000rpm			150	

Table 15-7: KUCT085 □ Shaft Φ32

Technical Data	Code	Unit			C	
Configuration Data						
Rated Speed	n_N	rpm			2000	
Rated Power	P	kW			6	
Poles	P_N				5	
Rated Torque (100K)	T_N	Nm			28.7	
Rated Current (100K)	I_N	A			13	
Static Torque (100K)	T_0	Nm			29.7	
Stall Current (100K)	I_0	A			13.2	
Inertia	J	10^{-4}kgm^2			50	
Limiting Data						
Max Speed	n_{\max}	Rpm			3000	
Max Torque	T_{\max}	Nm			120	
Max Current	I_{\max}	A			70	
Physical Constants						
Torque Constant	k_T	Nm/A			2.2	
Voltage Constant	k_E	V/1000rpm			140	



L		
型號	Without Brake	With Brake
KUT083	256	281
KUT085	306	331

Table 15-8: KUCT 101 □ Shaft Φ42

Technical Data		Code	Unit		E			C	
Configuration Data									
Rated Speed		n _N	rpm		1000			2000	
Rated Power		P	kW		4.5			7.5	
Poles		P _N			5			5	
Rated Torque (100K)		T _N	Nm		43			36	
Rated Current (100K)		I _N	A		9			14.5	
Static Torque (100K)		T ₀	Nm		45			39	
Stall Current (100K)		I ₀	A		9.5			15	
Inertia		J	10 ⁻⁴ kgm ²		50			50	
Limiting Data									
Max Speed		n _{max}	Rpm		2000			4000	
Max Torque		T _{max}	Nm		90			90	
Max Current		I _{max}	A		20			40	
Physical Constants									
Torque Constant		k _T	Nm/A		5			2.5	
Voltage Constant		k _E	V/1000rpm		300			150	

Table 15-9: KUCT 103 □ Shaft Φ42

Technical Data		Code	Unit	L	E	B		C	
Configuration Data									
Rated Speed		n _N	rpm	500	1000	1500		2000	
Rated Power		P	kW	3.8	7.5	10		13	
Poles		P _N		5	5	5		5	
Rated Torque (100K)		T _N	Nm	72	72	65		60	
Rated Current (100K)		I _N	A	8	15	19.5		24	
Static Torque (100K)		T ₀	Nm	85	85	80		76	
Stall Current (100K)		I ₀	A	9	17.5	24		30	
Inertia		J	10 ⁻⁴ kgm ²	90	90	90		90	
Limiting Data									
Max Speed		n _{max}	Rpm	1000	2000	3000		4000	
Max Torque		T _{max}	Nm	160	160	160		160	
Max Current		I _{max}	A	20	36	52.5		72	
Physical Constants									
Torque Constant		k _T	Nm/A	10	5	3.33		2.5	
Voltage Constant		k _E	V/1000rpm	600	300	200		150	

Table 15-10: KUCT 105 □ Shaft Φ42

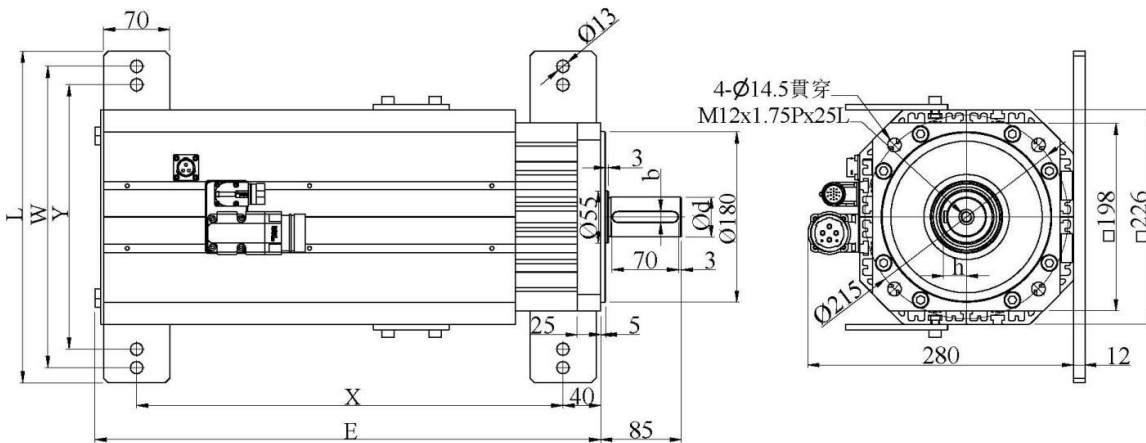
Technical Data		Code	Unit	M	E	B		C	
Configuration Data									
Rated Speed		n _N	rpm	600	1000	1500		2000	
Rated Power		P	kW	6.3	10.5	15		18.5	
Poles		P _N		5	5	5		5	
Rated Torque (100K)		T _N	Nm	100	100	95		88	
Rated Current (100K)		I _N	A	13	21	29		35	
Static Torque (100K)		T ₀	Nm	125	125	120		112	
Stall Current (100K)		I ₀	A	17	26	36		44	
Inertia		J	10 ⁻⁴ kgm ²	130	130	130		130	
Limiting Data									
Max Speed		n _{max}	Rpm	1000	2000	3000		4000	
Max Torque		T _{max}	Nm	230	230	230		230	
Max Current		I _{max}	A	31	52.5	80		105	
Physical Constants									
Torque Constant		k _T	Nm/A	7.5	5	3.75		2.5	
Voltage Constant		k _E	V/1000rpm	450	300	225		150	

Table 15-11: KUCT 107 □ Shaft Φ42

Technical Data		Code	Unit		E	B	S	C	
Configuration Data									
Rated Speed		n _N	rpm		1000	1500	1800	2000	
Rated Power		P	kW		14	19	25.5	24	
Poles		P _N			5	5	5	5	
Rated Torque (100K)		T _N	Nm		130	120	135	113	
Rated Current (100K)		I _N	A		27	36	45	45	
Static Torque (100K)		T ₀	Nm		165	155	170	150	
Stall Current (100K)		I ₀	A		34	47	60	60	
Inertia		J	10 ⁻⁴ kgm ²		170	170	170	170	
Limiting Data									
Max Speed		n _{max}	Rpm		2000	3000	3000	3000	
Max Torque		T _{max}	Nm		350	350	350	350	
Max Current		I _{max}	A		80	100	130	160	
Physical Constants									
Torque Constant		k _T	Nm/A		5	4	3	2.5	
Voltage Constant		k _E	V/1000rpm		300	240	180	150	

Table 15-12: KUCT 109 □ Shaft Φ42

Technical Data	Code	Unit		E		C	D
Configuration Data							
Rated Speed	n_N	rpm		1000		2000	2500
Rated Power	P	kW		18		31	31
Poles	P_N			5		5	5
Rated Torque (100K)	T_N	Nm		170		150	150
Rated Current (100K)	I_N	A		35		60	60
Static Torque (100K)	T_0	Nm		200		185	185
Stall Current (100K)	I_0	A		41		73	73
Inertia	J	10^{-4}kgm^2		210		210	210
Limiting Data							
Max Speed	n_{\max}	Rpm		2000		3000	3000
Max Torque	T_{\max}	Nm		430		430	430
Max Current	I_{\max}	A		100		200	200
Physical Constants							
Torque Constant	k_T	Nm/A		5		2.5	2.5
Voltage Constant	k_E	V/1000rpm		300		150	150



序號	型号	d	b	h	X	Y	W	L	E
1	KUT101	38	10	22	230	254		325	324
		42	12	24					
2	KUT103	38	10	22	282.5	254		325	376.5
		42	12	24					
3	KUT105	38	10	22	335	279	318	350	429
		42	12	24					
4	KUT107	42	12	24	387.5	279	318	350	481.5
5	KUT109	42	12	24	440	279	318	350	534

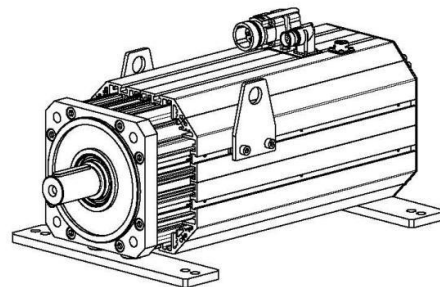


Table 15-13: KUCT 132 □ Shaft Φ 60

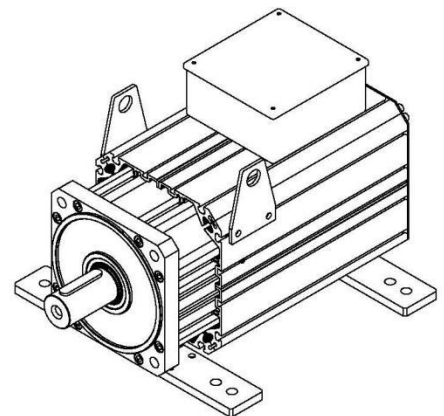
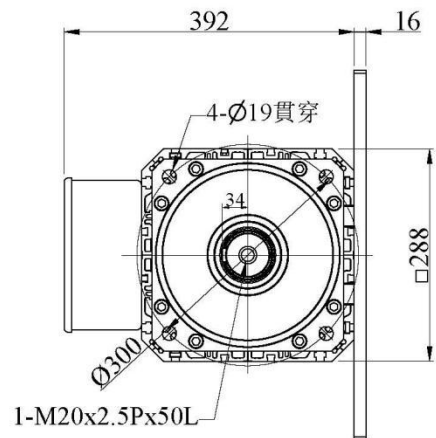
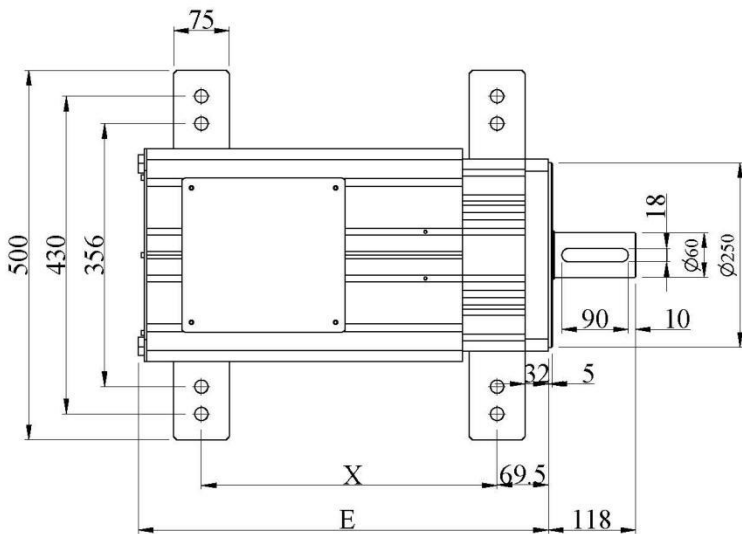
Technical Data		Code	Unit	E		C	
Configuration Data							
Rated Speed		n_N	rpm	1000		2000	
Rated Power		P	kW	24		45	
Poles		P_N		4		4	
Rated Torque (100K)		T_N	Nm	230		215	
Rated Current (100K)		I_N	A	44		77	
Static Torque (100K)		T_0	Nm	250		250	
Stall Current (100K)		I_0	A	48		90	
Inertia		J	10^{-4}kgm^2	350		350	
Limiting Data							
Max Speed		n_{\max}	Rpm	1500		3000	
Max Torque		T_{\max}	Nm	650		650	
Max Current		I_{\max}	A	170		300	
Physical Constants							
Torque Constant		k_T	Nm/A	5.2		2.8	
Voltage Constant		k_E	V/1000rpm	310		170	

Table 15-14: KUCT 134 □ Shaft Φ 60

Technical Data		Code	Unit	E		C	
Configuration Data							
Rated Speed		n_N	rpm	1000		2000	
Rated Power		P	kW	31		60	
Poles		P_N		4		4	
Rated Torque (100K)		T_N	Nm	300		286	
Rated Current (100K)		I_N	A	58		102	
Static Torque (100K)		T_0	Nm	320		320	
Stall Current (100K)		I_0	A	61		114	
Inertia		J	10^{-4}kgm^2	520		520	
Limiting Data							
Max Speed		n_{\max}	Rpm	1500		3000	
Max Torque		T_{\max}	Nm	900		900	
Max Current		I_{\max}	A	210		400	
Physical Constants							
Torque Constant		k_T	Nm/A	5.2		2.8	
Voltage Constant		k_E	V/1000rpm	310		170	

Table 15-15: **KUCT 136** □ **Shaft Φ60**

Technical Data	Code	Unit	E	C
Configuration Data				
Rated Speed	n_N	rpm	1000	2000
Rated Power	P	kW	40	75
Poles	P_N		4	4
Rated Torque (100K)	T_N	Nm	380	358
Rated Current (100K)	I_N	A	73	128
Static Torque (100K)	T_0	Nm	400	400
Stall Current (100K)	I_0	A	77	143
Inertia	J	$10^{-4}kgm^2$	690	690
Limiting Data				
Max Speed	n_{max}	Rpm	1500	3000
Max Torque	T_{max}	Nm	1100	1100
Max Current	I_{max}	A	270	500
Physical Constants				
Torque Constant	k_T	Nm/A	5.2	2.8
Voltage Constant	k_E	V/1000rpm	310	170



序號	型號	X	E
1	KUT132	400	554.7
2	KUT134	480	634.7
3	KUT136	560	714.7